

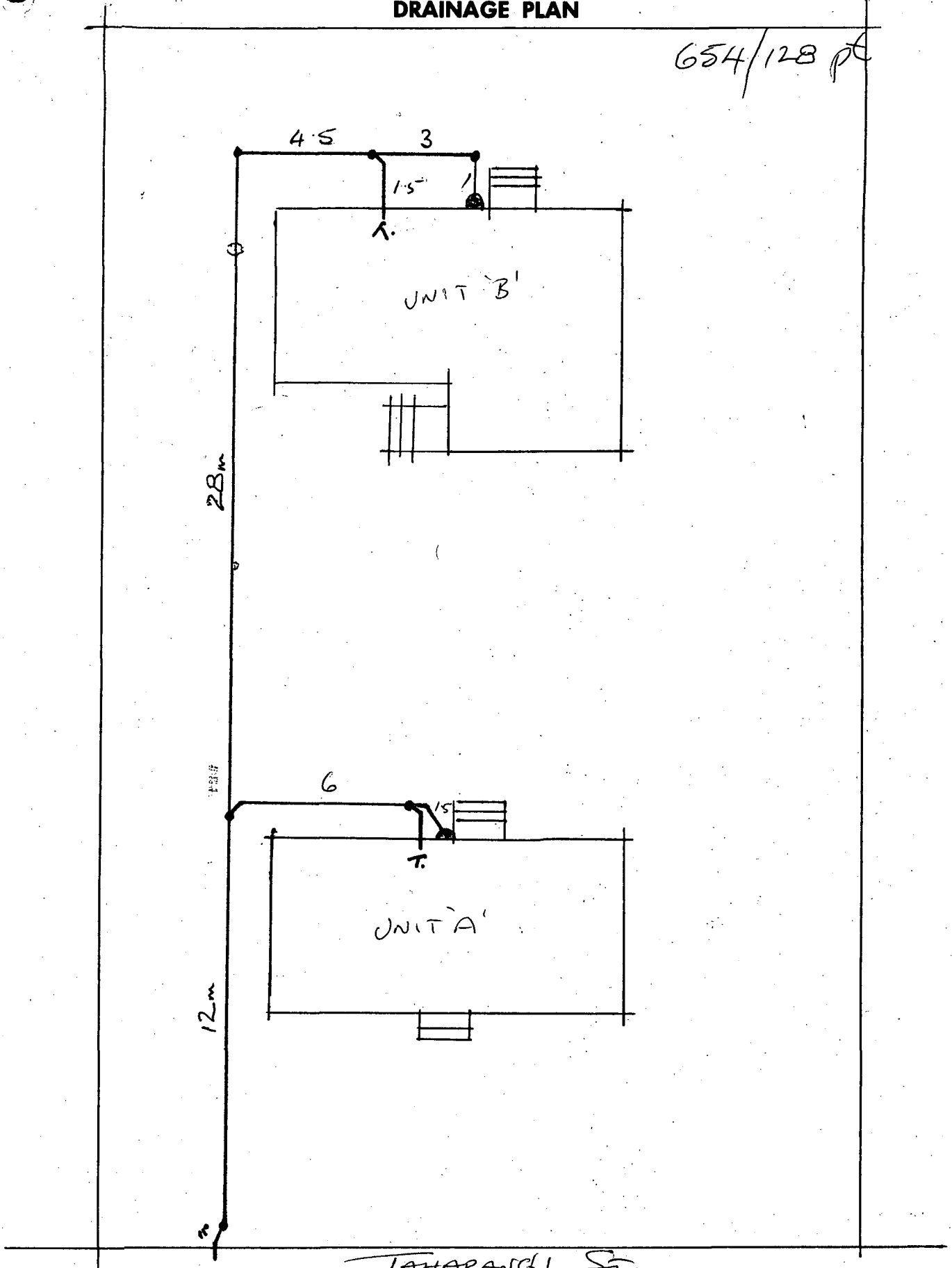
Plans **MUST** show dimensions and distances from section boundaries in metric units

Rotorua District Council

NEW SEWERAGE DRAINS—RED
STORMWATER—DOTTED BLACK
OLD DRAINS—FULL BLACK

DRAINAGE PLAN

654/128 pt



OWNER UNITED HOMES LOT E 91 SEC. _____ BL. 19095

No. STREET TAHARANGI ST SIGNATURE OF DRAINLAYER [Signature] DATE 23/4/86